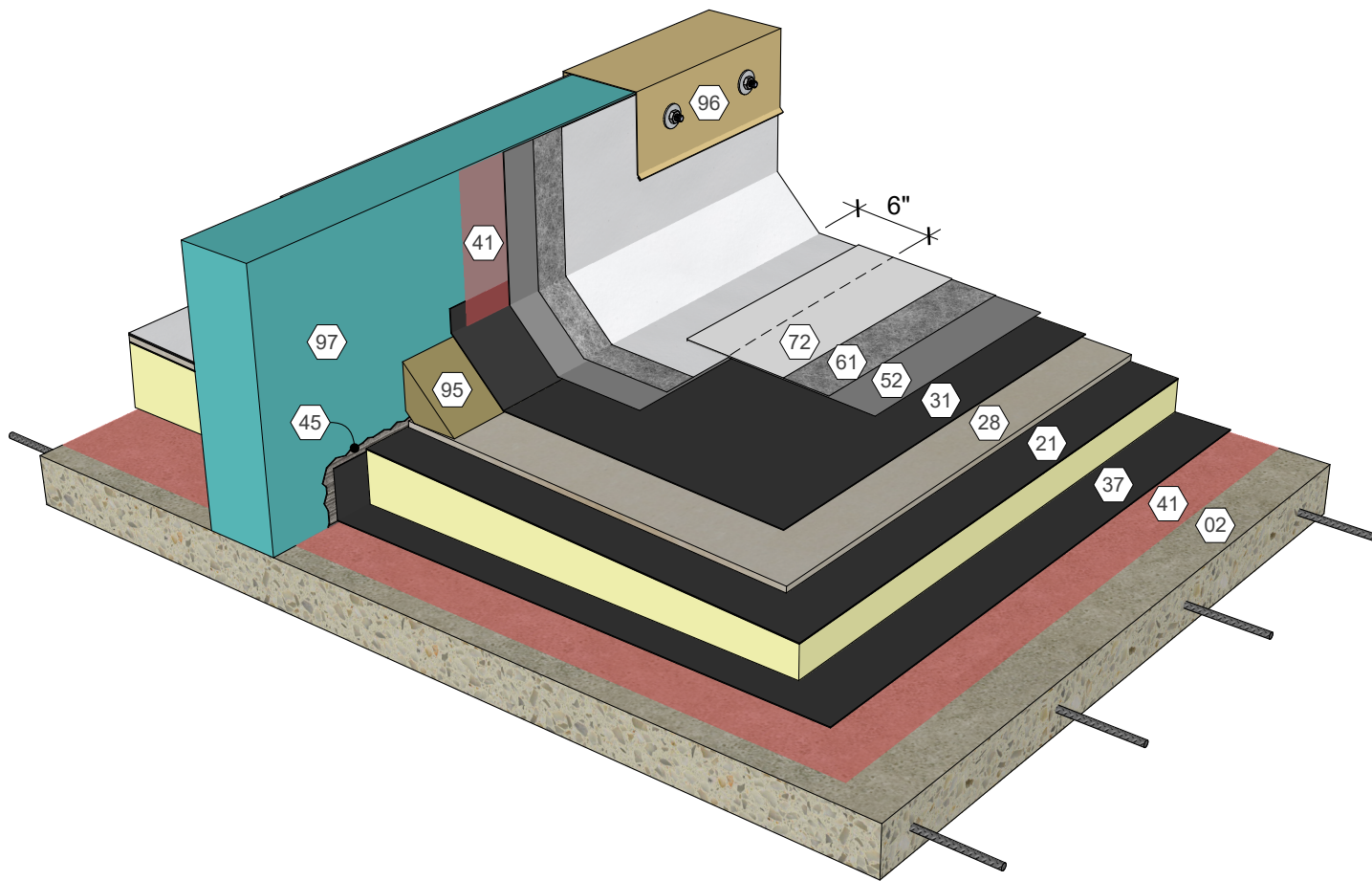


**KEY NOTES**

- 01 Metal Deck
- 09 Roof Structure
- 22 Polyisocyanurate Insulation (Fastened or Adhered)
- 27 Substrate Board (Fastened)
- 28 Cover Board (Adhered)
- 31 Approved Base Ply Sheet
- 37 Approved Base Sheet (Adhered)
- 41 Approved Primer
- 45 Roofing Mastic
- 52 AlphaGuard BIO Base Coat
- 61 AlphaGuard Glass Mat or Permafab
- 72 AlphaGuard BIO Top Coat
- 95 Cant Strip
- 96 Metal Coping
- 97 Prefabricated Curb

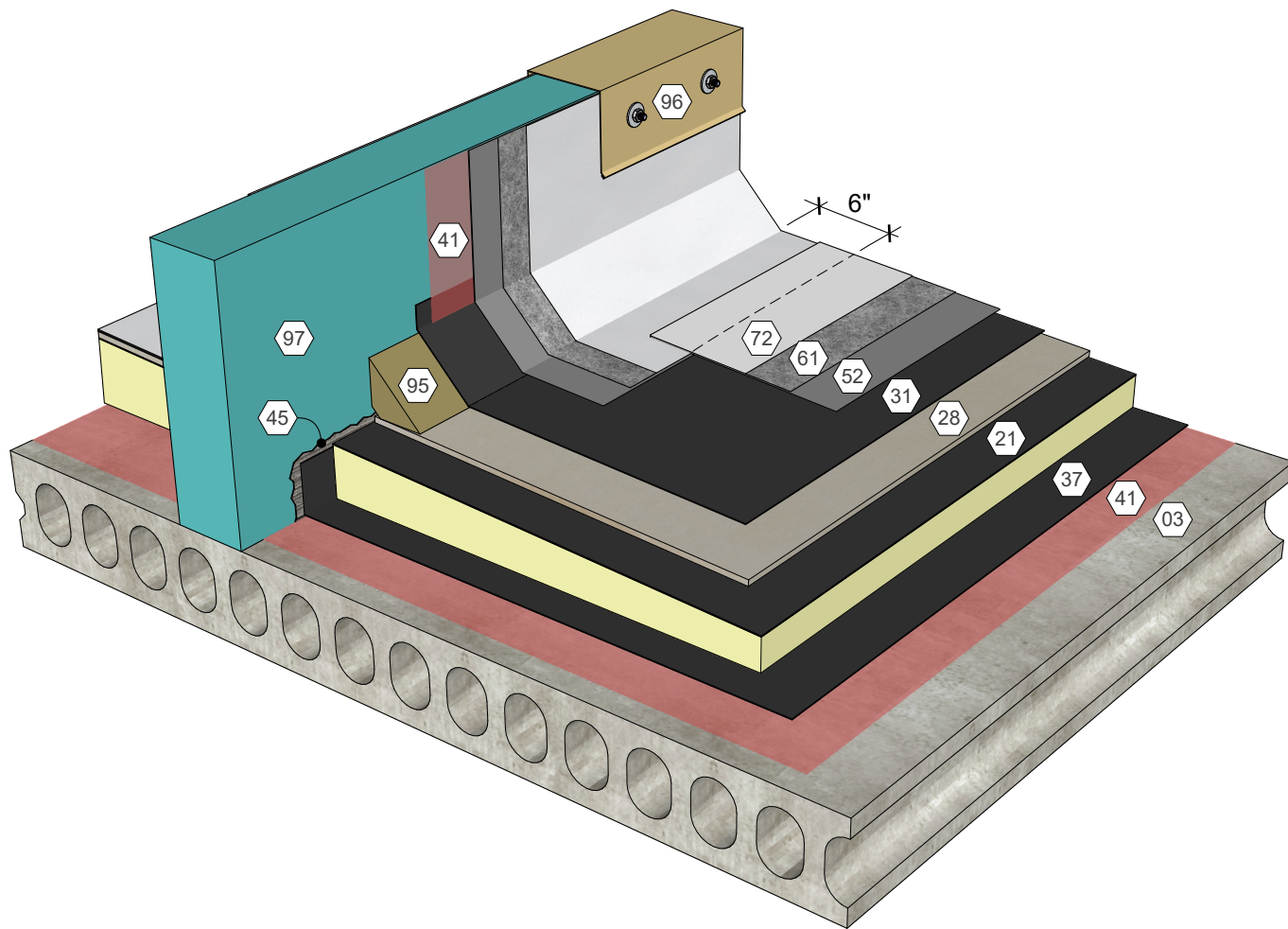
AlphaGuard® BIO Plus Equipment Support, Temp. Roof, Metal Deck  
 Detail 33101



## KEY NOTES

- ①02 Structural Concrete Deck
- ①21 Polyisocyanurate Insulation (Adhered)
- ①28 Cover Board (Adhered)
- ①31 Approved Base Ply Sheet
- ①37 Approved Base Sheet (Adhered)
- ①41 Approved Primer
- ①45 Roofing Mastic
- ①52 AlphaGuard BIO Base Coat
- ①61 AlphaGuard Glass Mat or Permafab
- ①72 AlphaGuard BIO Top Coat
- ①95 Cant Strip
- ①96 Metal Coping
- ①97 Prefabricated Curb

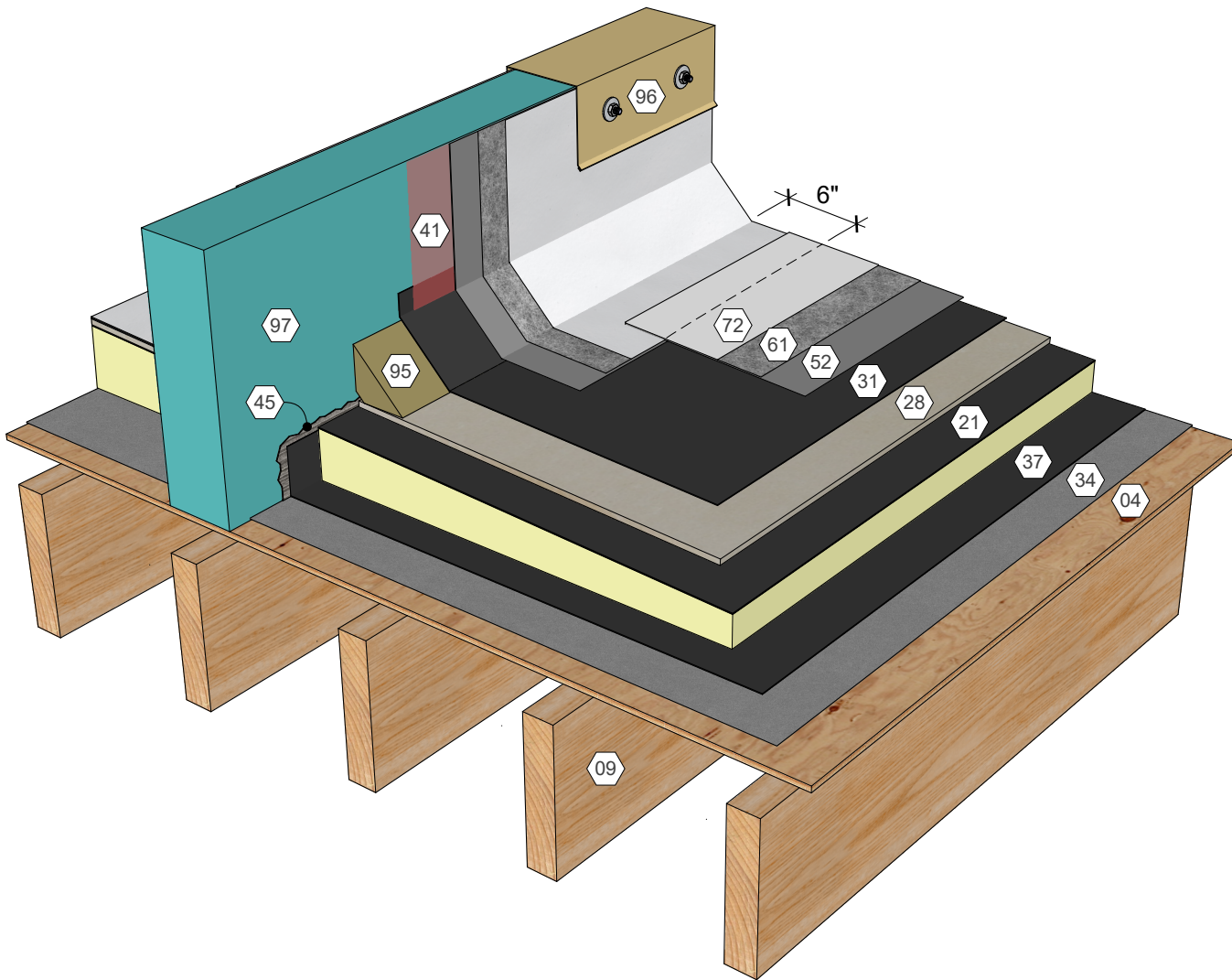
AlphaGuard® BIO Plus Equipment Support, Temp. Roof, Structural Concrete Deck  
Detail 33102



### KEY NOTES

- 03 Precast Concrete Deck
- 21 Polyisocyanurate Insulation (Adhered)
- 28 Cover Board (Adhered)
- 31 Approved Base Ply Sheet
- 37 Approved Base Sheet (Adhered)
- 41 Approved Primer
- 45 Roofing Mastic
- 52 AlphaGuard BIO Base Coat
- 61 AlphaGuard Glass Mat or Permafab
- 72 AlphaGuard BIO Top Coat
- 95 Cant Strip
- 96 Metal Coping
- 97 Prefabricated Curb

AlphaGuard® BIO Plus Equipment Support, Temp. Roof, Precast Concrete Deck  
 Detail 33103

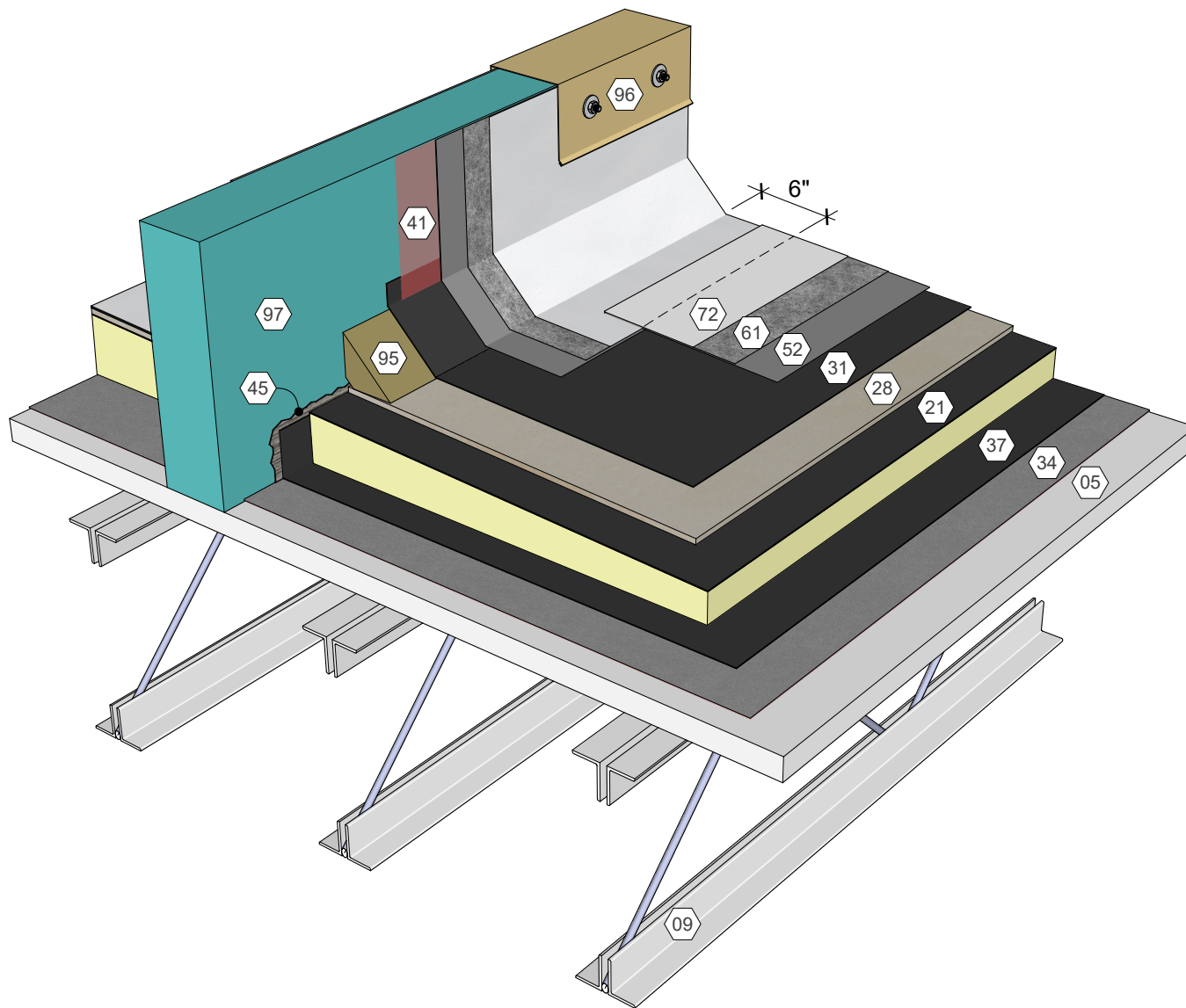


**KEY NOTES**

- 04 Wood Deck
- 09 Roof Structure
- 21 Polyisocyanurate Insulation (Adhered)
- 28 Cover Board (Adhered)
- 31 Approved Base Ply Sheet
- 34 Base Sheet (Fastened)
- 37 Approved Base Sheet (Adhered)
- 41 Approved Primer
- 45 Roofing Mastic
- 52 AlphaGuard BIO Base Coat
- 61 AlphaGuard Glass Mat or Permafab
- 72 AlphaGuard BIO Top Coat
- 95 Cant Strip
- 96 Metal Coping
- 97 Prefabricated Curb

AlphaGuard® BIO Plus Equipment Support, Temp. Roof, Wood Deck  
 Detail 33104





## KEY NOTES

- 05 Gypsum Deck
- 09 Roof Structure
- 21 Polyisocyanurate Insulation (Adhered)
- 28 Cover Board (Adhered)
- 31 Approved Base Ply Sheet
- 34 Base Sheet (Fastened)
- 37 Approved Base Sheet (Adhered)
- 41 Approved Primer
- 45 Roofing Mastic
- 52 AlphaGuard BIO Base Coat
- 61 AlphaGuard Glass Mat or Permafab
- 72 AlphaGuard BIO Top Coat
- 95 Cant Strip
- 96 Metal Coping
- 97 Prefabricated Curb

AlphaGuard® BIO Plus Equipment Support, Temp. Roof, Gypsum Deck  
Detail 33105